

POWER-PLAZA.COM

Kumera Power-Plaza is the online marketplace for Kumera Power Transmissions and associated spare parts.

Use the Power-Plaza.com for

- Online gearbox configuration
- Creating 3D models and CAD drawings
- Identification of spare parts
- Online shopping cart including delivery times



KUMERA POWER TRANSMISSION GROUP

Kumera Drives Oy
+358 20 755 4200
drives@kumera.com

Kumera Antriebstechnik GmbH
+43 316 471 524-0
kumera.graz@kumera.com

Kumera (China) Co, Ltd.
+86 512 503 61701
kumerachina@kumera.com

Kumera AS
+47 33 48 54 54
sales@kumera.no

24/7 CUSTOMER SUPPORT

Service and Spare parts
+358 400 300 644
service@kumera.com

Technical engineering support
+358 20 7554 290
drives@kumera.com

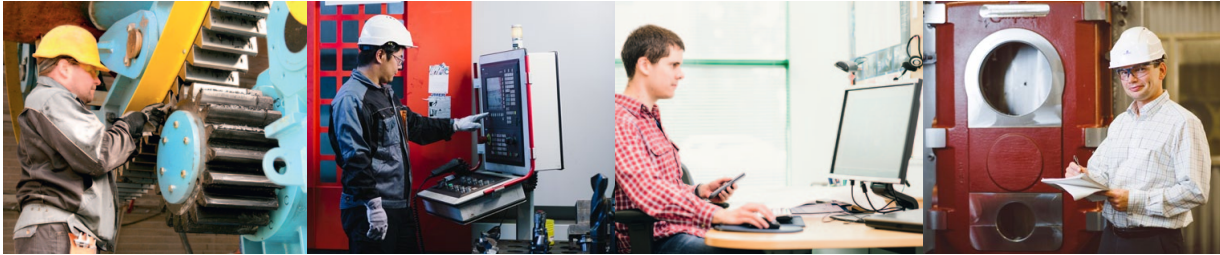
www.kumera.com



Kumera Drive Unit for thickeners



New drive unit for thickeners



Reduced weight

Optimized force flows and simple structure enable mass reduction up to 50 % compared to conventional designs.

Increased lifting capacity

Heavy-duty spherical thrust bearings provide outstanding lifting capacity despite compact dimensions.

- Lifting capacity from 30 tons up to 200 tons

Compact speed reducer

2-stage planetary speed reducer is accompanied with standard primary gearbox for vast ratio selection.

- Ratios from 224:1 to 144000 : 1
- Nominal torques from 100 kNm to 800 kNm

Increased lifting distance

Due to unique design longer axial strokes are available.

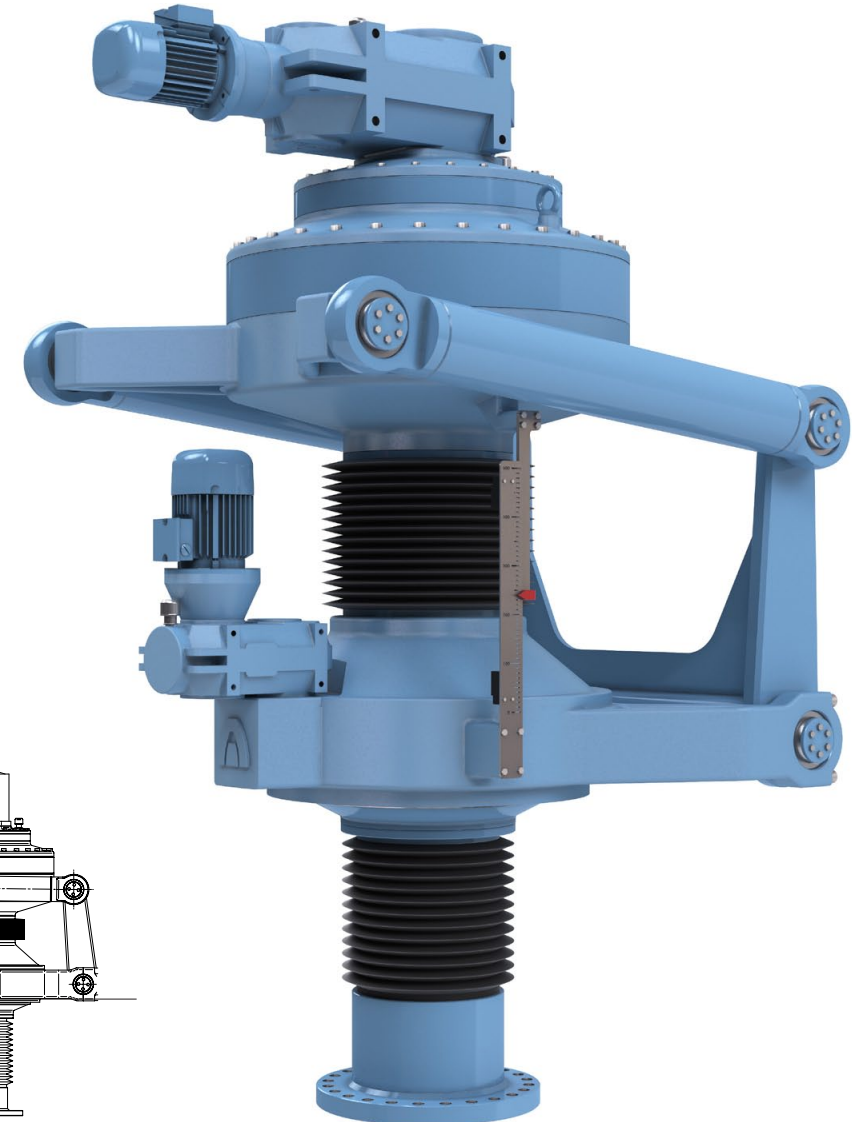
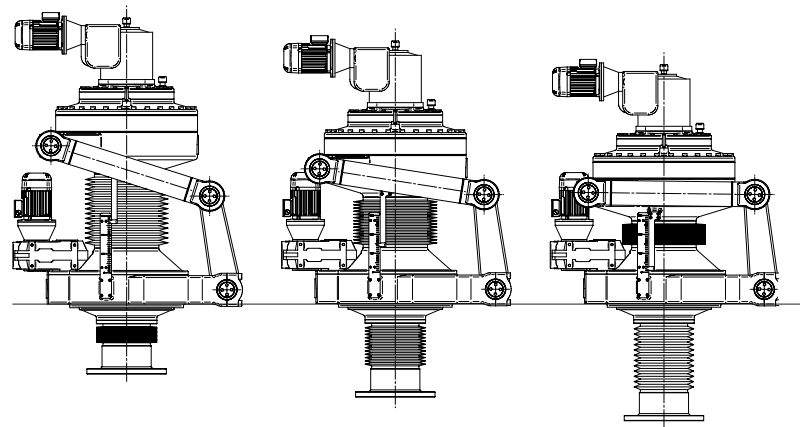
- Stroke from 300 mm up to 1000 mm

Torque support

Two torque supports connected by torsion bar allow full self-alignment of speed reducer.

Ease of maintenance

Sliding motion during axial movement occurs outside gearbox in standard spherical plain bearings. Not inside housing requiring costly spare parts.



Kumera Corporation

Kumera Corporation is a worldwide manufacturer of industrial machinery and engineering services. The corporation consists of four major operating divisions:

Power Transmission Group provides a comprehensive range of industrial and marine gearboxes for all major process industries. Kumera has more than 50 years of experience as manufacturer of mechanical power transmissions. There are more than 200.000 Kumera gear units in operation world-wide.

Technology Division specializes in state-of-the-art engineering and heavy process equipment for metallurgical and environmental industries. Kumera has successfully performed several modernization projects for metals industry and is a leading manufacturer of industrial steam dryers for copper and nickel smelters and lignite.

Foundry Division with **Peiron Oy** as the leading company produces all types of steel and iron castings, forming a link in the vertical refining chain of Kumera Corporation.

Marine Division produces propulsion gearboxes and propellers including control systems for any seafaring vessels.

Kumera Corporation Ltd.

Kumerankatu 2
FI-11100 Riihimäki, Finland
Tel: +358 20 755 4200
Email: kumera@kumera.com

Sales

Please feel free to send your offer request to:
sales@kumera.com
Your message will be answered within the next business day.

Technology Division

HEADQUATERS

Kumera Technology Center (KTC)
Kumerankatu 2
FI-11100 Riihimäki, Finland
Tel: +358 20 755 4200
Email: technology@kumera.com

MACHINERY

Kumera Machinery Oy
Kylmäkoskentie 18
FI-37910 Akaa, Finland
Tel: +358 20 755 4340
Email: machinery@kumera.com

FOUNDRY DIVISION

Peiron Oy - Steel Foundry
P.O. Box 88
FI-32801 Kokemäki, Finland
Tel: +358 20 750 9400
E-mail: info@peiron.com

Power Transmissions Group

FINLAND

Kumera Drives Oy
Kumerankatu 2
FI-11100 Riihimäki, Finland
Tel: +358 20 755 4200
Email: drives@kumera.com

AUSTRIA

Kumera Antriebstechnik GmbH
Raiffeisenstraße 38-40
A-8010 Graz, Austria
Tel: +43 316 471524-0
E-mail: kumera.graz@kumera.com

GERMANY

Kumera Getriebe GmbH
Bonner Straße 38
D-53842 Troisdorf, Germany
Tel: +49 2241 988 - 0
E-mail: kumera.getriebe@kumera.com

Sales Office

Ludwig-Richter-Straße 7
D-42329 Wuppertal, Germany
Tel: +49 202 3177 5787

Sales Office

Tritschler Straße 9
D-66606 St. Wendel, Germany
Tel: +49 202 3177 5786

NORWAY

Kumera AS
P.O. Box 2043, Gneisveien 11
N-3202 Sandefjord, Norway
Tel: +47 33 485 454
E-mail: sales.kumeraas@kumera.com

Helseth AS

Baklivegen 11-13
N-6450 Hjelset, Norway
Tel: +47 71 20 29 00
E-mail: helseth@kumera.com

SWEDEN

Katrinédalsgatan 13A
S-50451 Borås, Sweden
Tel: +49 739 999 188
E-mail: drives@kumera.com

CHINA

Kumera (China) Co.,Ltd.
Meifen Road 168
Wusongjiang Development Zone
Kunshan, China
Tel: +86 (0) 512 503 617 01
E-mail: kumerachina@kumera.com

Emergency Repair Service & Maintenance 24/7

- All major brands and manufacturers

EMERGENCY REPAIR SERVICE FOR INDUSTRIAL GEARBOXES

AUSTRIA

Phone: +43 316 47 15 24 - 0
E-mail: service.graz@kumera.com

FINLAND

Phone: +358 400 300 644
E-mail: service@kumera.com

GERMANY

Phone: +49 2241 988 - 0
E-mail: service.germany@kumera.com

EMERGENCY REPAIR SERVICE FOR MARINE GEARBOXES AND PROPELLERS

NORWAY

Marine Gearbox Service
Phone: +47 952 46 460
E-mail: service@kumera.no

Marine Propeller Service

Phone: +47 900 53418
E-mail: helseth@kumera.com

EMERGENCY REPAIR SERVICE FOR INDUSTRIAL AND MARINE GEARBOXES IN ASIA

CHINA

Phone: +86 137 7196 9428
E-mail: kumerachina@kumera.com